

87 DRILL PRESS VICES – HEAVY DUTY

ESP Mordazas para taladro FR Étaux de perceuse DE Präzisions-Bohrmaschinen-Schraubstöcke

This ubiquitous Drill Vice is more than a fixture in any workshop. It is a necessity

These are specially designed for use by professionals who require a heavy vice

Manufactured from close grained cast iron, this vice offers a ground vice bed for smooth & consistent jaw movement

Jaws are hardened & ground with cross patterned 90° V-grooves in the stationary jaw facilitating holding of round jobs both horizontally & vertically

Rugged design makes these vices perfect for even the most difficult of drilling, tapping & reaming operations



Ordering Information

Cat. Nr.	Ordering Nr.	Jaw Width		Jaw Opening		Jaw Depth		Net Wt. Each Kg.
		Inch	mm	Inch	mm	Inch	mm	
DPV/60	35102	2-1/2	63	2-3/4	70	1	25	3.40
DPV/80	35100	3-3/16	80	3-1/2	88	1-3/32	28	4.00
DPV/100	35101	4	100	4	100	1-3/8	35	7.70
DPV/120	35103	4-3/4	120	6	150	1-21/32	42	13.50
DPV/150	35104	6	150	6-11/16	170	2	50	22.50

u BESTSELLER | NEW SIZE

88 DRILL PRESS VICES – PRECISION

DPV-STD

ESP Mordazas para taladro FR Étaux de perceuse DE Präzisions-Bohrmaschinen-Schraubstöcke

Manufactured from graded cast iron, these drill vices have been designed for accuracy, making them ideal for engineering workshops and tool rooms

The base and slides are precision ground for stability and accurate operation

Horizontal & vertical V-grooves in the stationary jaw allows holding of round job securely

The base is slotted enabling the vice to be bolted to drill press tables, assisting in quick & accurate positioning



Ordering Information

Cat. Nr.	Ordering Nr.	Jaw Width		Jaw Opening		Jaw Depth		Net Wt. Each Kg.
		Inch	mm	Inch	mm	Inch	mm	
DPV/STD-75	35110	3	75	2-3/4	70	1-3/16	30	2.70
DPV/STD-100	35111	4	100	4	100	1-1/2	38	5.45
DPV/STD-125	35112	5	125	5	125	1-7/8	48	11.00

u BESTSELLER

WWW.AZARSANAT.COM

89 DRILL PRESS VICE – UNIGRIP

Series UG

ESP Mordazas para taladro FR Étau UNIGRIP á mors flottant DE Bohrmaschinen-Schraubstöcke

Manufactured from graded cast iron, these vices have a precision ground base and vice bed for smooth lateral movement of the movable jaw

Longitudinal and transversal prisms in the fixed jaw allow for firm gripping of round jobs of different sizes both horizontally and vertically. Special seat in jaws facilitates retaining of flat work pieces

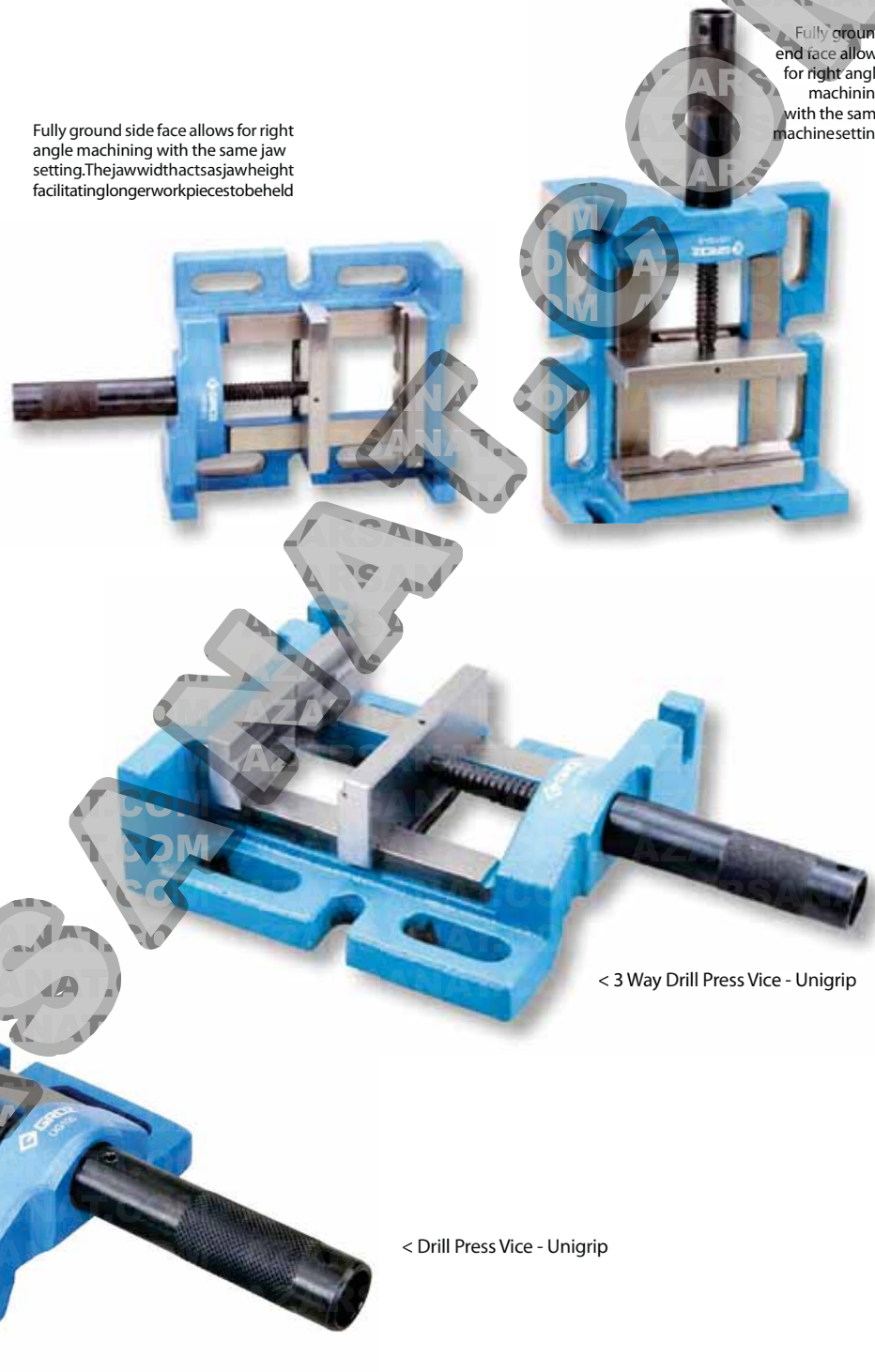
Vices are equipped with a convenient unigrip mechanism. Spindle moves inside the hollow hand grip allowing the vice to be used at a location away from the table edge. This feature increases the scope of application of this range of vices

3 Way Drill Press Vice

This vice is also available with 3 mounting options via 2 additional precisely ground surfaces: end face and side face. This allows for drilling along all axes with a single setting of the job and holding of long workpieces which are cumbersome and difficult to manage in regular vices

Fully ground side face allows for right angle machining with the same jaw setting. The jaw width acts as jaw height facilitating longer workpieces to be held

Fully ground end face allows for right angle machining with the same machine setting



< 3 Way Drill Press Vice - Unigrip

< Drill Press Vice - Unigrip

Ordering Information

Cat. Nr.	Ordering Nr.	Jaw Width		Jaw Opening		Jaw Depth	
		Inch	mm	Inch	mm	Inch	mm
Drill Press Vice - Unigrip							
DPV/UG/75	35120	3-3/16	80	2-3/4	75	1-3/16	30
u DPV/UG/100	35121	4	100	3-5/8	92	1-3/16	30
u DPV/UG/125	35122	4-23/32	120	4-3/8	110	1-3/8	35
3 Way Drill Press Vice - Unigrip							
DPV/UG/3/100	35125	4	100	3-1/2	88	1-3/16	30

u BESTSELLER

WWW.AZARSANAT.COM

CA 76 info@azarsanat.com - azarsanat azarsanat azarsanat - 66761178 - 66711800 - 66710476

90 RAPID ACTION DRILL PRESS VICES

ESP Mordazas para taladro - Acción Rápida

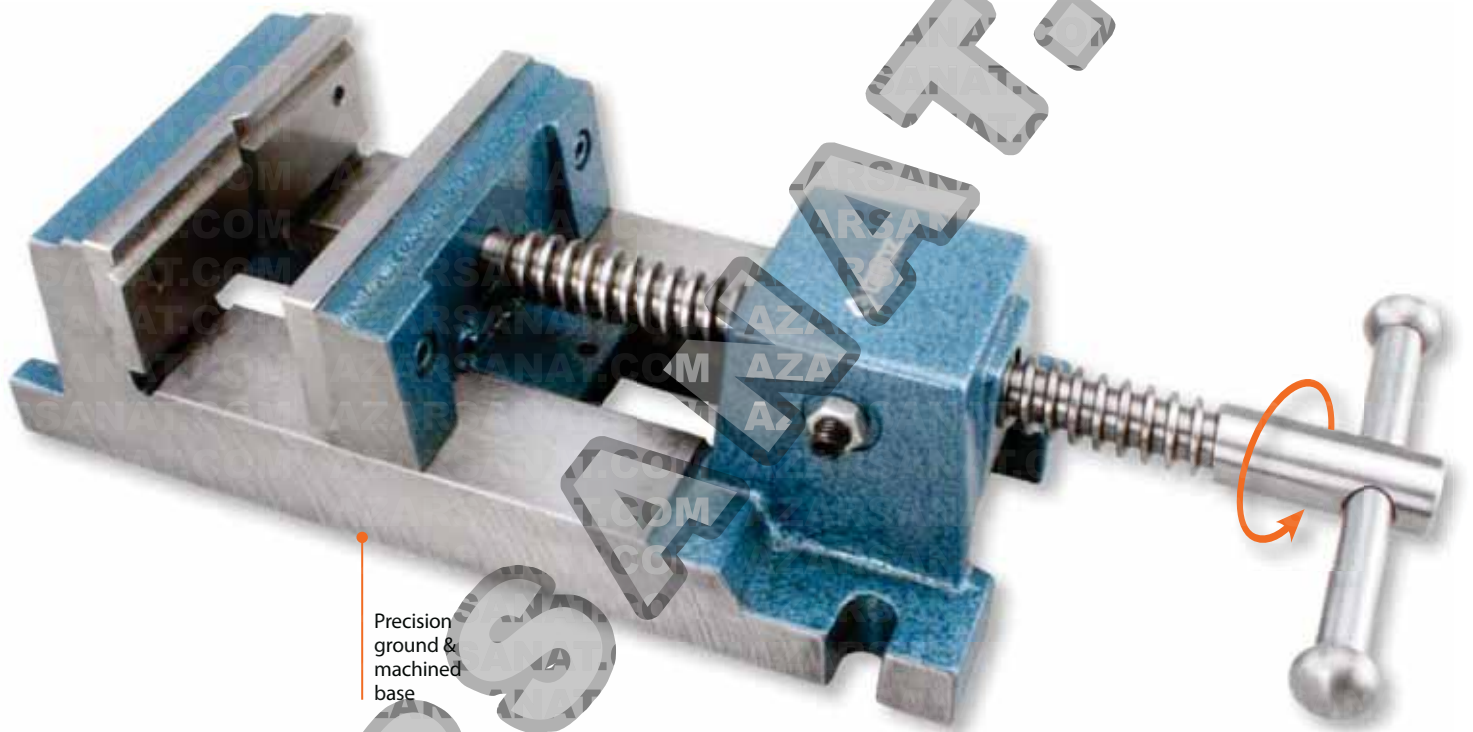
FR Étaux de perceuse à serrage rapide

DE Schnellspann Bohrmaschinen-Schraubstöcke

Manufactured from graded cast iron for extra strength and increased durability

Precision machining of vice sides- at right angles to the base allows these vices to be used on sides in addition to being used on the base

Vices are equipped with a rapid action mechanism – A simple half turn of the spindle in anti-clockwise direction activates the mechanism- A very useful feature in repetitive work situations for holding different size jobs



Precision ground & machined base

ThreeWayTiltingVicebeingusedtoholdajobatanangle for milling operation.



Ordering Information

Cat. Nr.	Ordering Nr.	Jaw Width		Jaw Opening		Jaw Depth	
		Inch	mm	Inch	mm	Inch	mm
RAV/35	35130	3-1/2	89	3-13/16	97	1-3/4	44
RAV/45	35131	4-1/2	113	4-3/4	120	1-7/8	45
RAV/60	35132	6	150	6-3/4	169	2-1/8	54

u BESTSELLER

WWW.AZARSANAT.COM

CA 77 info@azarsanat.com -  azarsanat  azarsanat  azarsanat - 66761178 - 66711800 - 66710476