

# ABSOLUTE Inside Caliper

**SERIES 573, 536 — Knife-edge/Inside Groove/Point Jaw Type - AzarSanat**

کولیس شیار داخل میتوتوبو

آذر صنعت

## FEATURES

- Specially designed for inside measurements in hard-to-reach places.
- With SPC data output. (Series 573)
- Supplied in fitted plastic case. 18" / 450mm and 24" / 600mm supplied in wooden case.

### Knife-edge type



## Technical Data

Accuracy: Refer to the list of specifications.  
 Resolution\*: .0005"/0.01mm / 0.01mm  
 Graduation\*\*: 0.05mm  
 Display\*: LCD  
 Length standard\*: ABSOLUTE electrostatic capacitance type linear encoder  
 Max. response speed\*: Unlimited  
 Battery\*: SR44 (1 pc.), **938882**  
 Battery life\*: Approx. 3.5 years under normal use  
 \*Digital models \*\*Analog models

### Inside groove type



## Function of Digital Model

Origin-set, Zero-setting, Power On/Off, Data output, inch/mm conversion (on inch/metric models only)  
 Alarm: Low voltage, Counting value composition error

### Point jaw type



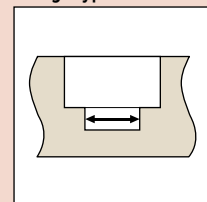
## SPECIFICATIONS

Metric		Digital model		
Range	Order No.	Accuracy	Remarks	Mass (g)
10 - 200mm	<b>573-642</b>	±0.05mm	Knife-edge type, Measurable min. hole diameter: ø10mm	227
10 - 160mm	<b>573-645</b>	±0.05mm	Inside groove type, Measurable min. hole diameter: ø10mm	147
20 - 170mm	<b>573-646</b>	±0.03mm	Point jaw type, Measurable min. hole diameter: ø20mm	157

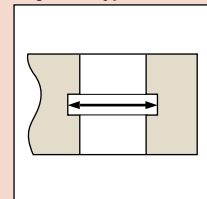
Inch/Metric		Digital model		
Range	Order No.	Accuracy	Remarks	Mass (g)
.4" - 8" / 10-200mm	<b>573-742</b>	±.002"	Knife-edge type, Measurable min. hole diameter: ø.4"	227
.4" - 6" / 10-150mm	<b>573-745</b>	±.002"	Inside groove type, Measurable min. hole diameter: ø.4"	147
.8" - 6" / 20-150mm	<b>573-746</b>	±.0015"	Point jaw type, Measurable min. hole diameter: ø.8"	157

Metric				
Range	Order No.	Accuracy	Remarks	Mass (g)
10 - 200mm	<b>536-142</b>	±0.12mm	Knife-edge type, Measurable min. hole diameter: ø10mm	210
10 - 150mm	<b>536-145</b>	±0.05mm	Inside groove type, Measurable min. hole diameter: ø10mm	130
20 - 150mm	<b>536-146</b>	±0.05mm	Point jaw type, Measurable min. hole diameter: ø20mm	140
30 - 300mm	<b>536-147</b>	±0.08mm	Point jaw type, Measurable min. hole diameter: ø30mm	370
70 - 450mm	<b>536-148</b>	±0.10mm	Point jaw type, Measurable min. hole diameter: ø70mm	1,250
70 - 600mm	<b>536-149</b>	±0.12mm	Point jaw type, Measurable min. hole diameter: ø70mm	1,430

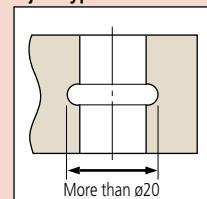
### Knife-edge type



### Inside groove type



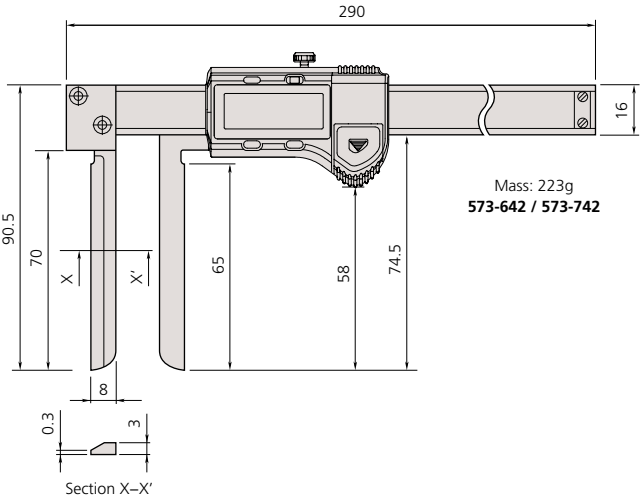
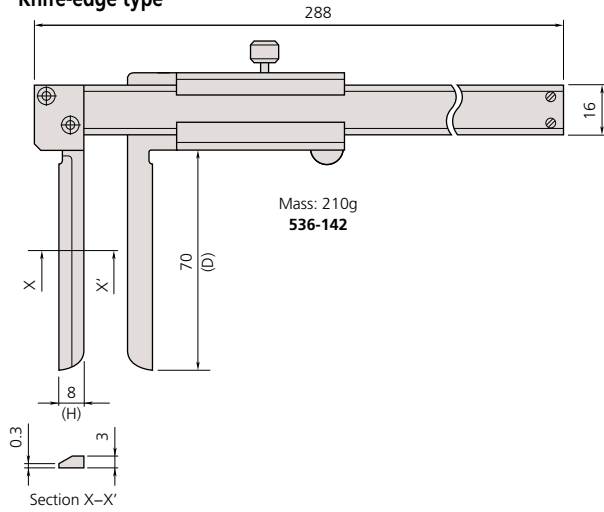
### Point jaw type



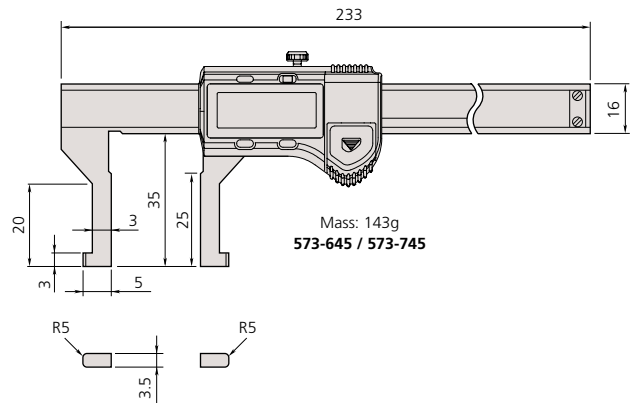
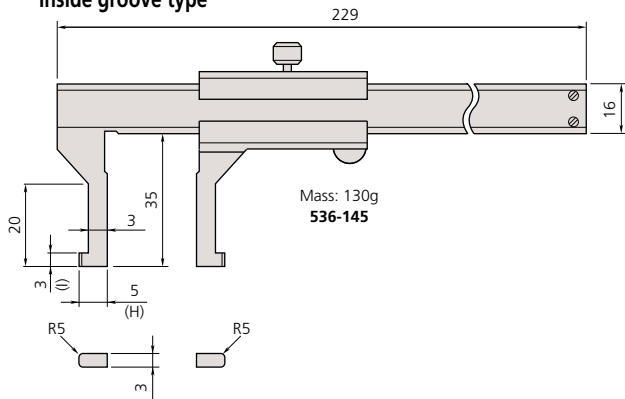
# DIMENSIONS AND MASS

Unit: mm

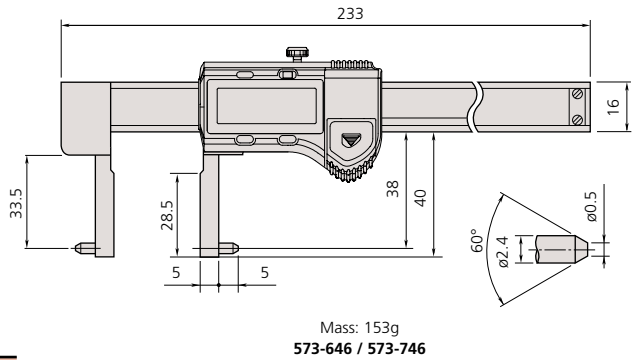
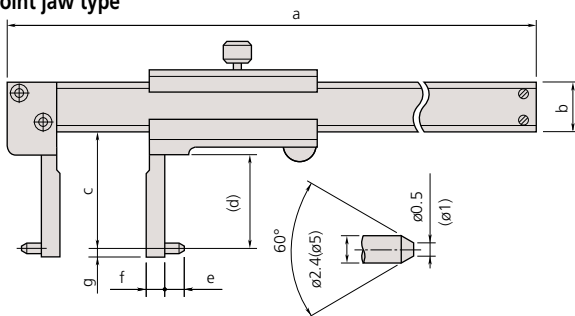
## Knife-edge type



## Inside groove type



## Point jaw type



Order No.	Range	a	b	c	d	e	f	g	Mass (g)
<b>536-146</b>	150mm	229	16	38	31	5	5	2	140
<b>536-147</b>	300mm	403	20	98	89	5	10	2	370
<b>536-148</b>	450mm	610	25	145	136	10	25	5	1,250
<b>536-149</b>	600mm	750	25	145	136	10	25	5	1,430